

## A. Safety Guide

---

Thank you for purchasing this products.



**WARNING** • Before using, read these user's manuals of this product to ensure correct usage through understanding. After reading, store them in a safe place for future reference. Incorrect handling of this product could possibly result in personal injury or physical damage. The manufacturer assumes no responsibility for any damage caused by mishandling that is beyond normal usage defined in these manuals of this product.

The process of designing, testing and perfecting our kennel panels is something that we take very seriously. Our goal is to ensure that not only do we manufacture the toughest and most resilient dog kennel on the market, but also the safest. We truly want to protect your furry, four-legged visitors because others are counting on you to care for these dogs.

Our kennel panels are totally modular (meaning that you can easily change the size or shape of your dog kennel set-up at any time), feature an industry-best 14 gauge steel frame and our exclusive climb and chew-resistant 6 gauge welded wire mesh design, both of which are coated from the inside-out with a thick and protective hot-dipped galvanized finish on our kennel pro series. Our kennel door opens inward and outward, and our gravity lockable latch is totally dog-proof.



- Make sure the floor you step on is dry, free from any liquids such as oil and water when assembling this product. Use anti-slip shoes to avoid falling due to slips.
- Keep this product out of reach of electric current, as this product is made of metal that conducts electricity.
- Make sure there is adequate lighting when doing the assembly. When assembling keep it away from children and pets.
- For safety and easy instalation at least work with 2 people

### SAFETY PRECAUTION



## B. Features

---

1. Easily Add Additional Stalls
2. Resistant To Bites From Aggressive Dogs
3. 2" x 4" Square Spacing
4. 1" x 1" 14 Gauge Steel Tube Frame
5. 6 Gauge Heavy Duty Wire
6. 100% Modular Change Shape & Size With Ease
7. 5-Minute Set-Up No Tools Required
8. Powder Coated Steel
9. Pets Can't Push Or Chew
10. Compatible W/Current Accessories & Parts
11. Welded Wire And Expanded Metal Goes Up To 5ft.

## K9 KENNEL STORE

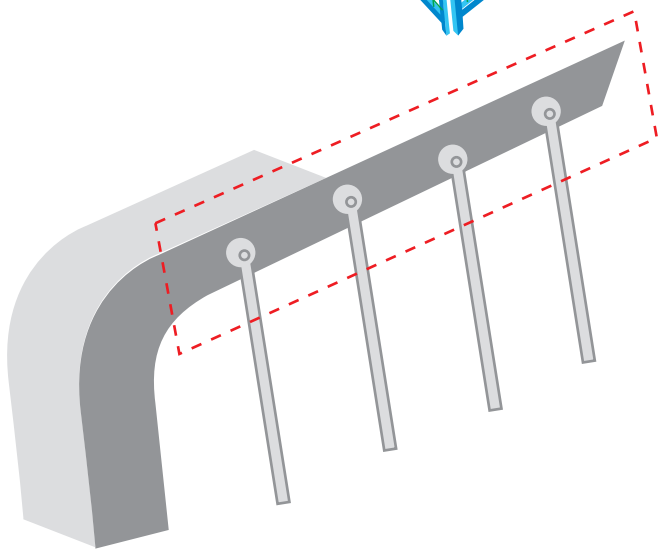
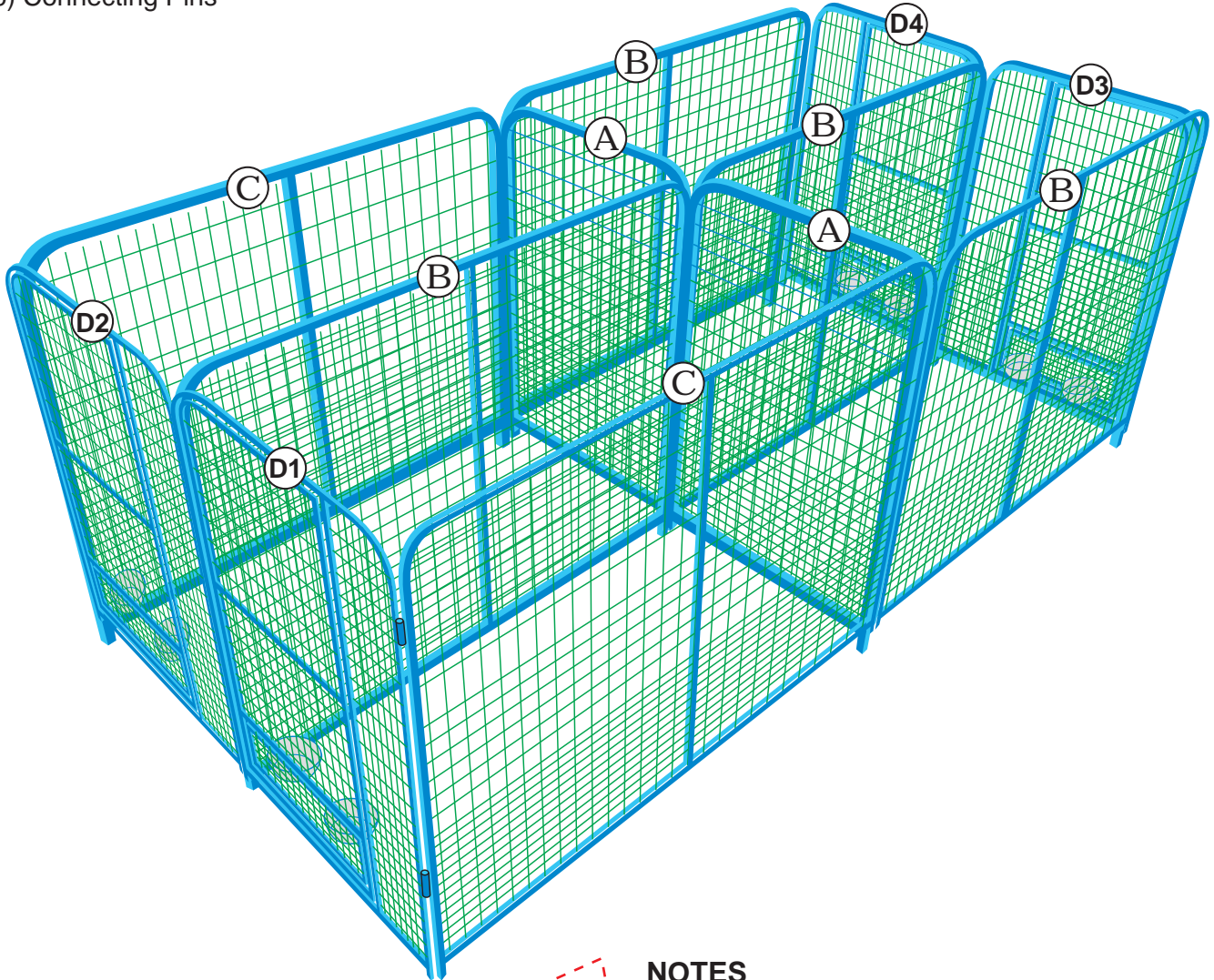
833 West 27th Street Ogden, Ut 84401

Phone : (801) 621-4024 Fax :(801) 621-4353

E-Mail : k9kennelsstore@gmail.com

## C. Whats inside the package?

- A (2) 4' Panels
- B (4) 6' Partition Panel
- C (2) 6' Half Partition Panel
- D (4) 4' Door Panels
- E (16) Connecting Pins



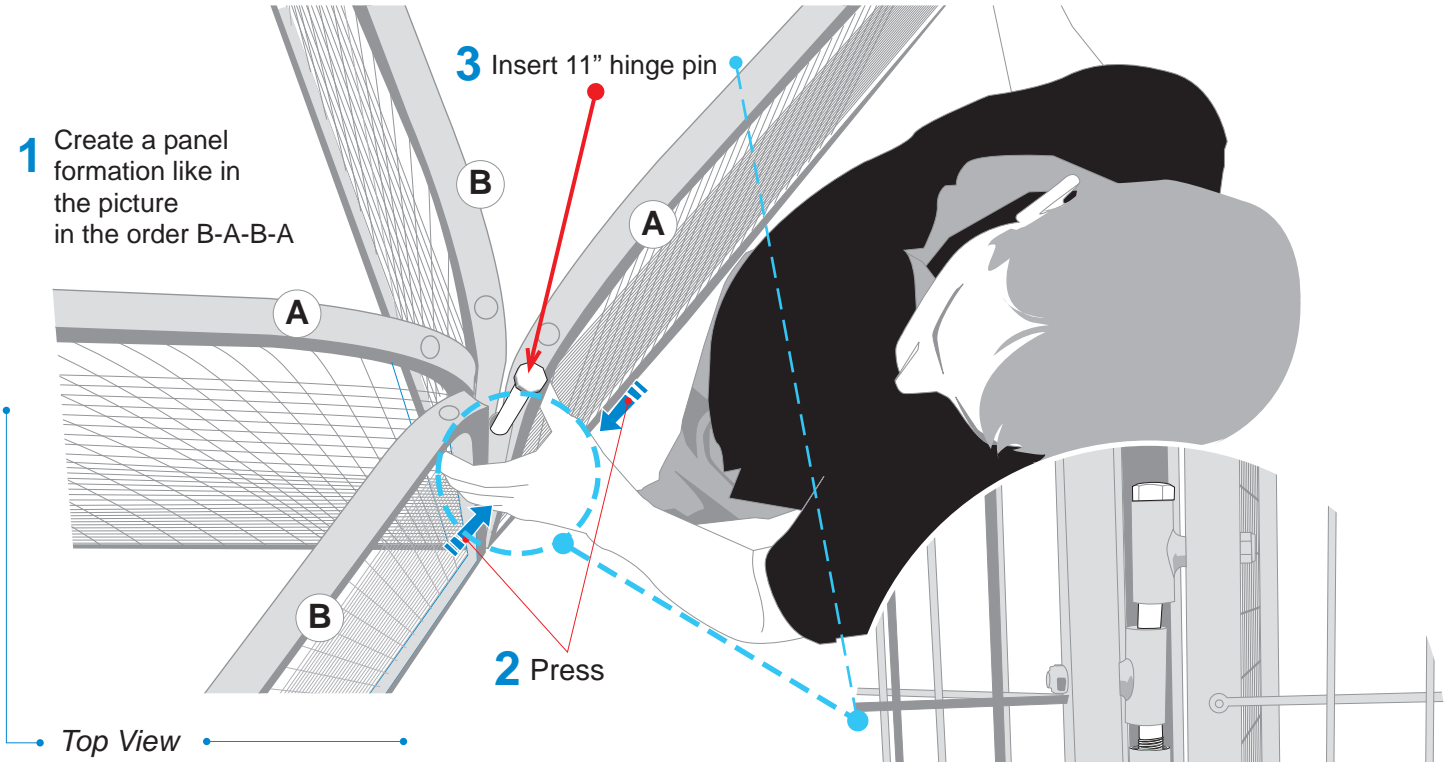
### NOTES

When you install the outer side panels, please make sure that the fence panels position are with welded mesh and wire facing to the inside of kennel

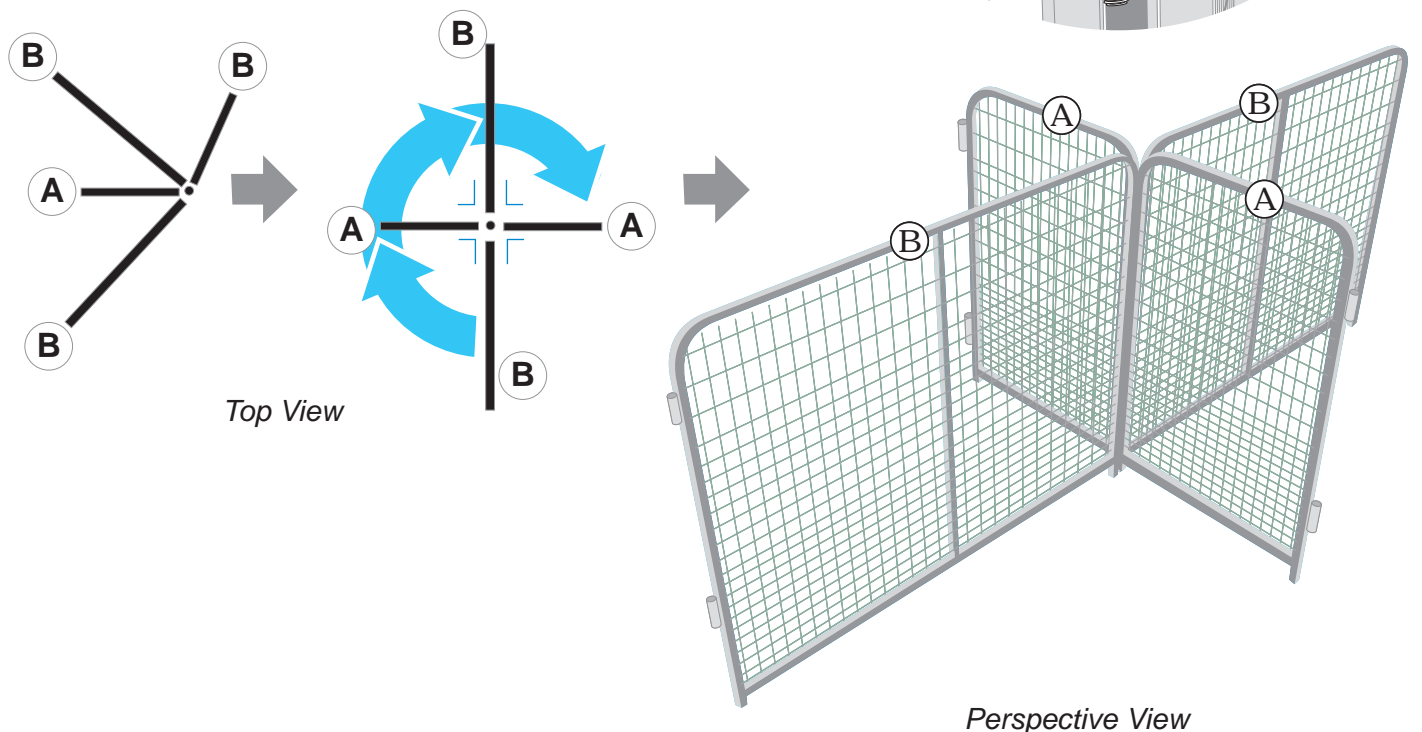
## D. Assembly

### 1. Connecting The Center Kennel

To make the next job easier, you have to connect the center of the Multiple Kennel so that the Kennel can stand firmly. The Kennel Center consists of 4 main panel, there are 2 sections A and 2 sections B.

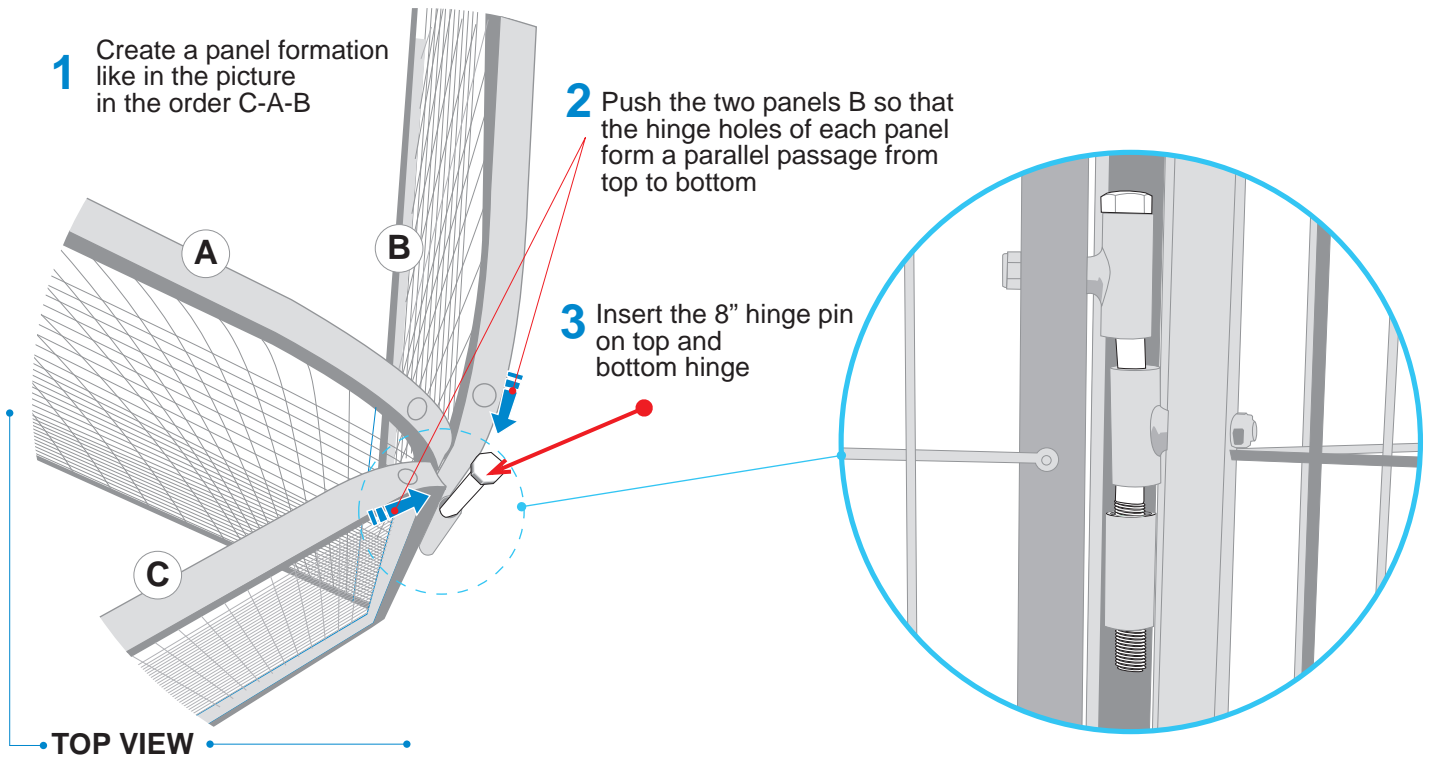


**4** Rotate the panel formation on its axis so that it forms a cross elbows to prepare for the next process.

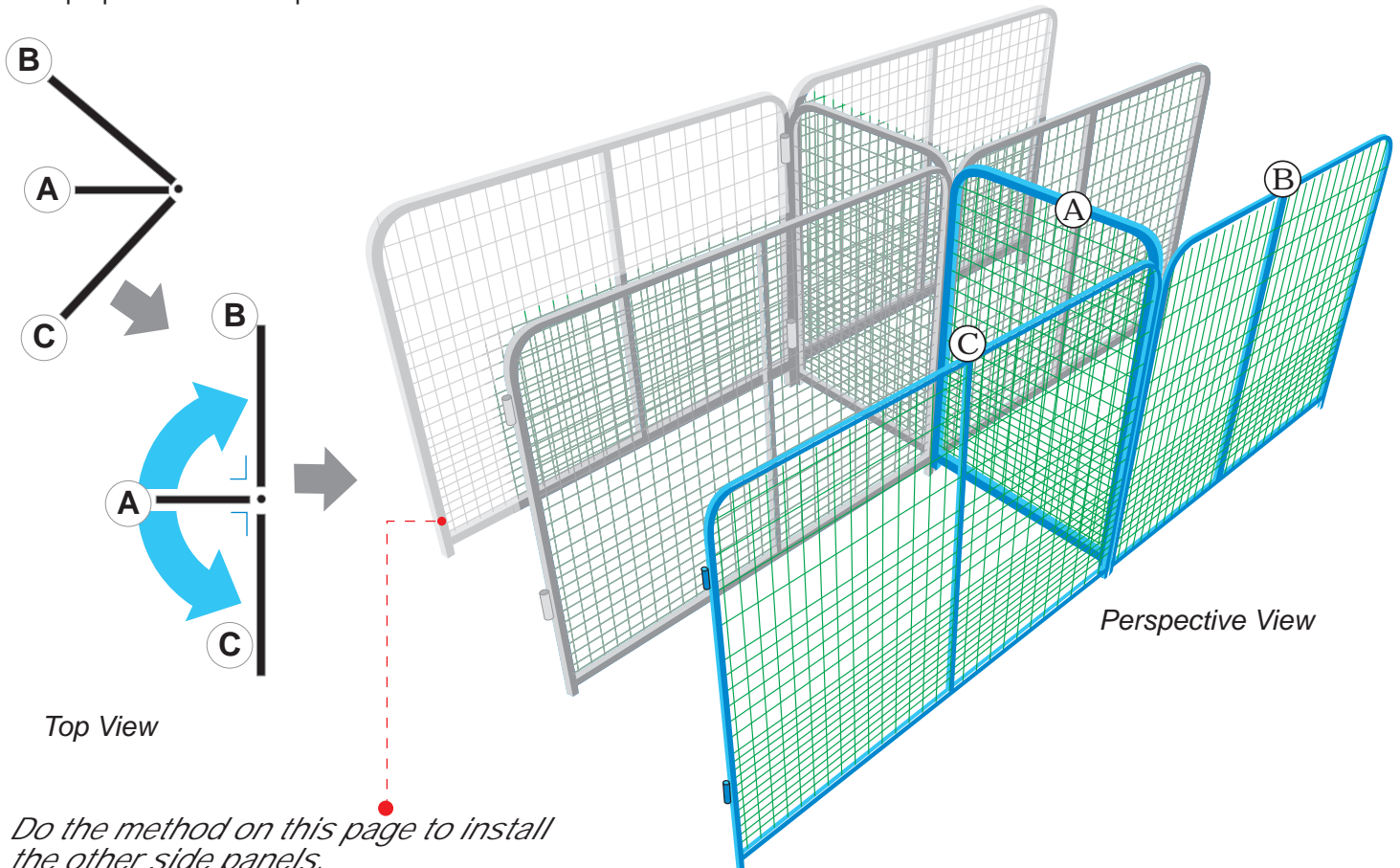


## 2. Connecting The Outside Panel

The method of installing the outer side panels is not much different from the previous instructions, just a little easier.

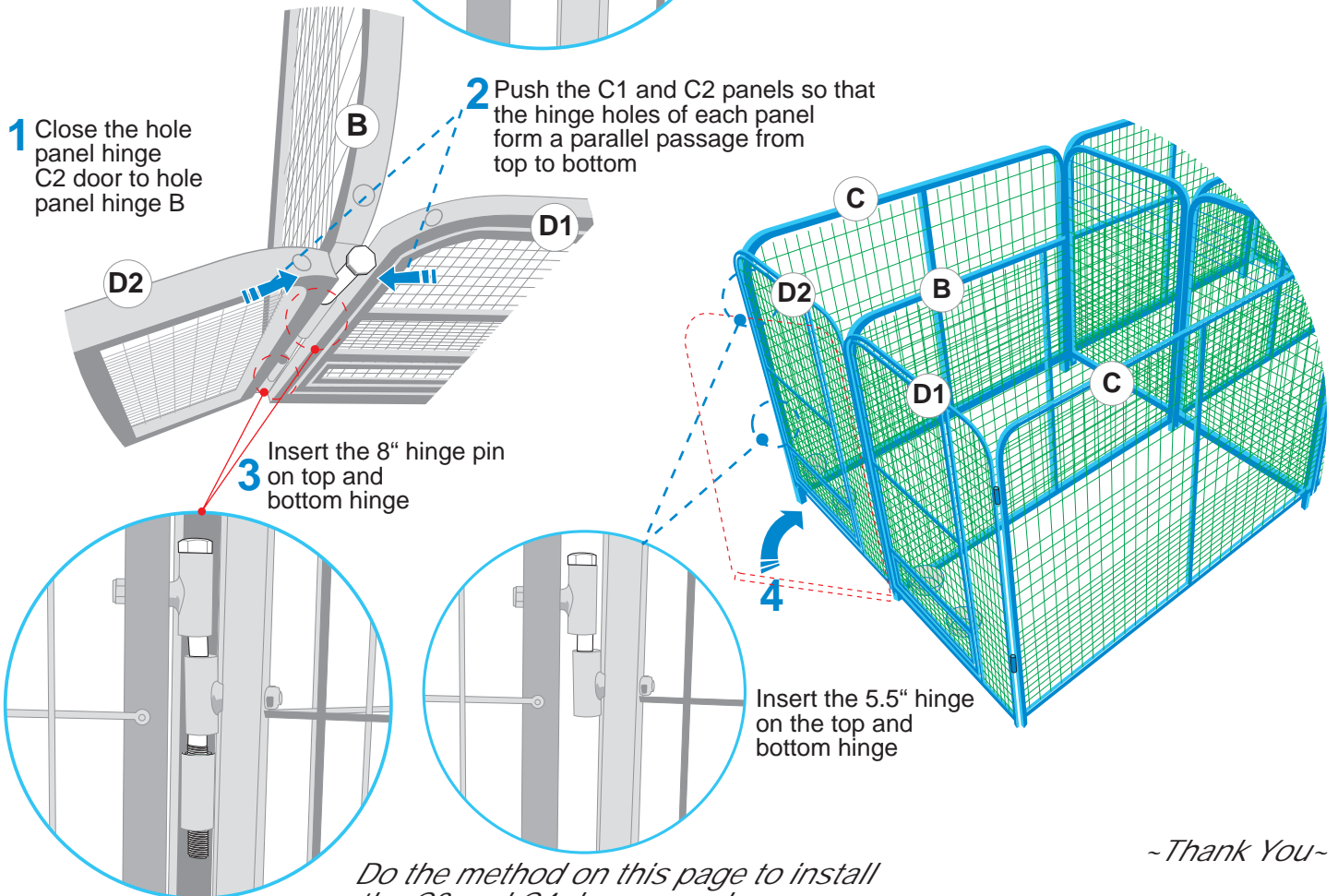
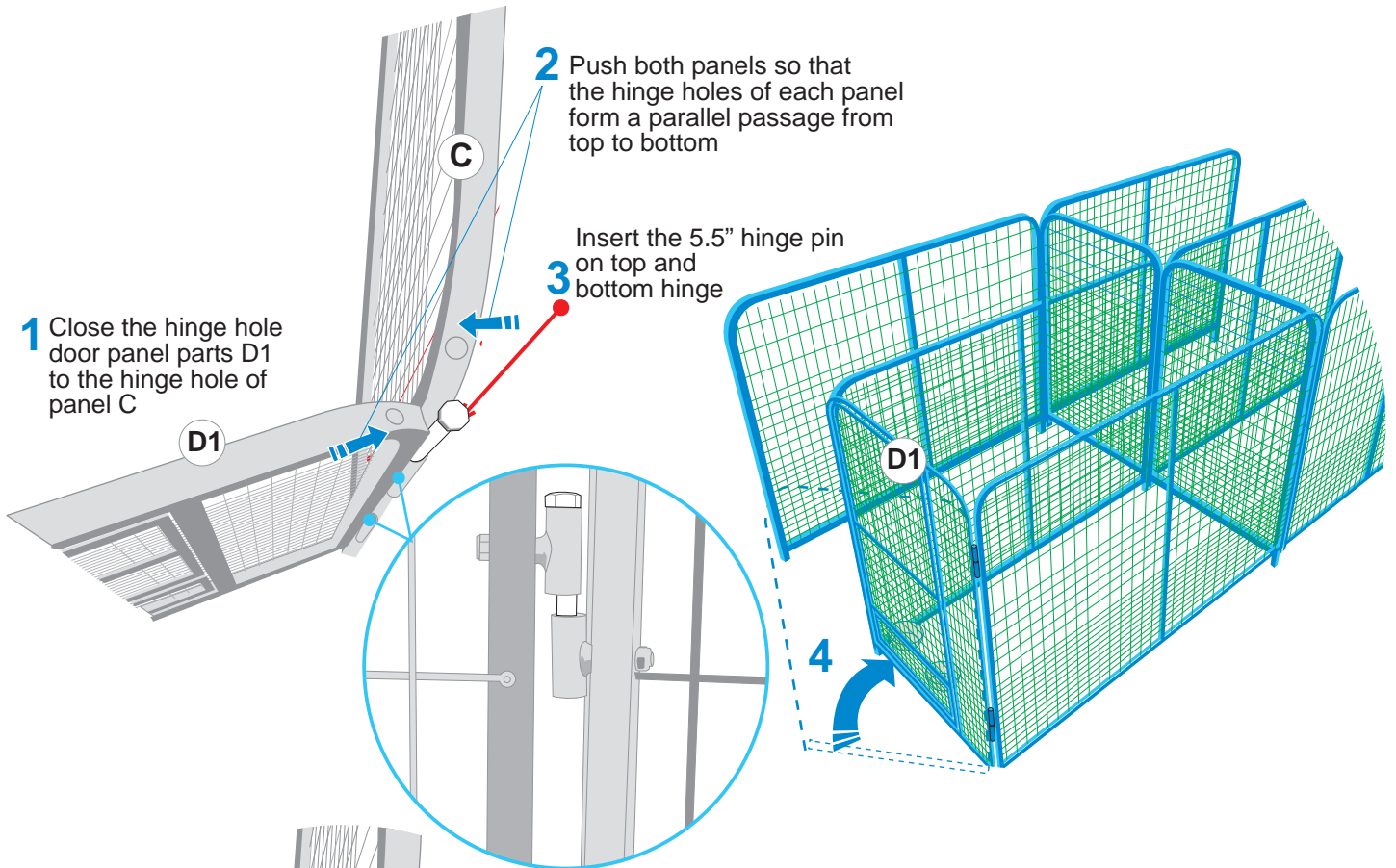


**4** Rotate the panel formation on its axis so that it forms two 90 degree elbows to prepare for the next process.



### 3. Connecting The Doors Panel

There are 4 door panels to be installed and all use the same method as the first 2 door panels.



*Do the method on this page to install the C3 and C4 doors panels.*

*~ Thank You ~*